



PACOMAT II

NEW

**CHANNEL BALING PRESS
WITH HORIZONTAL WIRE TYING SYSTEM**

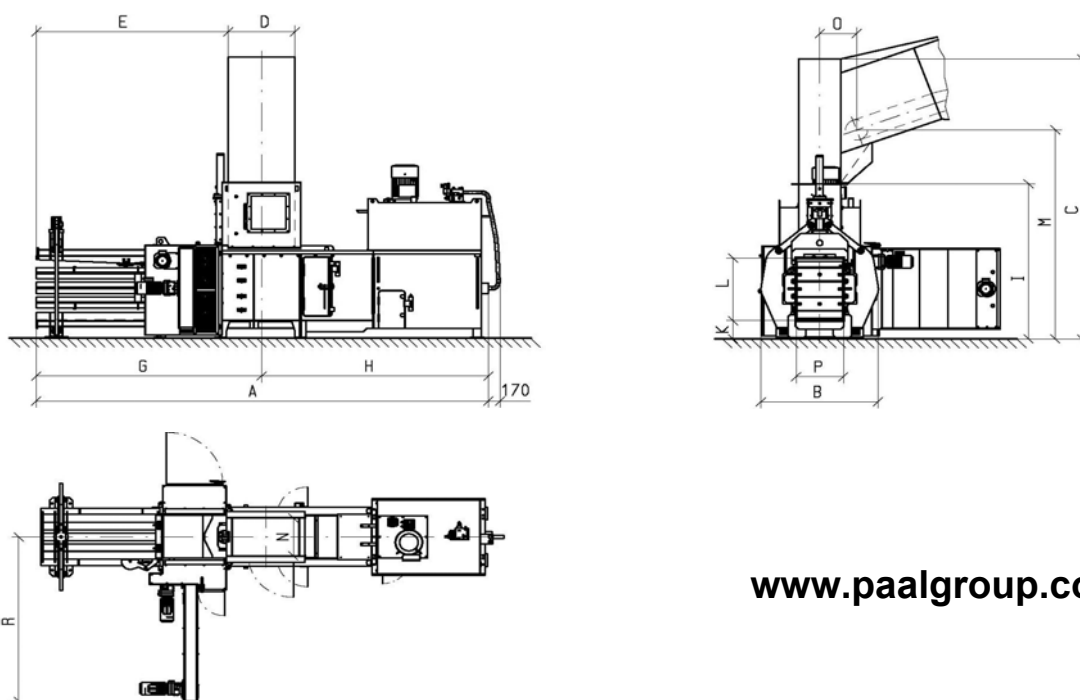
Technical data and measurements

PACOMAT		II-35 C			II-50 C			II-65 C		
		pressing force	t (kN)	36 (356)	50 (486)	65 (633)				
spec. pressing force	N/cm ²	51	69	90						
tunnel cross section	cm	100 x 70	100 x 70	100 x 70						
hopper opening	cm	100 x 62	100 x 62	100 x 62						
feeding volume	ca. m ³	0,9	0,9	0,9						
number of wires	pieces	4	4	4						
driving power	kW	11	22	30	22	30	45	22	30	45
press output (ideal)	max. m ³ /h	135	335	410	265	335	550	210	275	465
press output (under load)	max. m ³ /h	65	140	175	110	145	190	85	120	160
press capacity (weight) (in relation to bulk weight)										
• 35 kg/m ³ e.g. flattened OCC	ca. t/h	2,3	4,8	6,1	3,9	5,1	6,7	3,0	4,2	5,6
• 50 kg/m ³ e.g. shredded paper	ca. t/h	3,0	6,4	8,3	5,3	6,9	9,0	4,0	5,7	7,6
baler weight (according to equipment)	ca. t	8			8,5			9		

Dimensions in mm	A	B	C	D	E	G	H	I	K	L	M	N	O	P	R
PACOMAT II-35 C	6760	1760	4887	1000	2865	3365	3395	2687	297	1000	3550	620	660	700	2689
PACOMAT II-50 C	6760	1760	4887	1000	2865	3365	3395	2687	297	1000	3550	620	660	700	2689
PACOMAT II-65 C	7295	1850	4887	1000	3315	3815	3480	2687	297	1000	3550	620	660	700	2689

Additional FEATURES of the new PACOMAT:

- Wear plates of specialty steel for press chamber bottom increase the lifetime of the press. They are bolted for easy replacement.
- New DENSITRONIC control system for tunnel adjustment provides for better response to various material grades.
- The new Touch Panel TP 177 facilitates the operation of the machine through recipe management and a comprehensive display of data.
- To make maintenance easy, the pressure plate is provided with grouped nipples for lubrication of all rollers.



www.paalgroup.com

PAAL®

PAAL GmbH
Raiffeisenstraße 15-17
49124 Georgsmarienhütte
Germany

Tel.: +49 (0) 5401 488 0
Fax.: +49 (0) 5401 488 13

info@paalgroup.com

FAES®

Amadeo Farell S.A.U.
Poligono Industrial Can Carné
Calle Montsià s/n, P.O. Box 125
08211 Castellar del Vallés
Spain

Tel.: +34 937 143 210
Fax.: +34 937 143 169

info@faesnet.net

DICOM

Dicom Ltd.
Lydford Road
Meadow Lane Industrial Estate
Alfreton, Derbyshire DE55 7RQ
Great Britain

Tel.: +44 (0) 177 352 0565
Fax.: +44 (0) 177 352 0881

sales@dicom.ltd.uk

COMDEC

COMDECPAAL
9, rue Gustave Eiffel
21540 Sombornon
France

Tel.: +33 (0) 3 80 33 49 26
Fax.: +33 (0) 3 80 33 42 43

com@comdec-paal.com