



# PACOMAT I

**NEW**

CHANNEL BALING PRESS  
WITH HORIZONTAL WIRE TYING SYSTEM

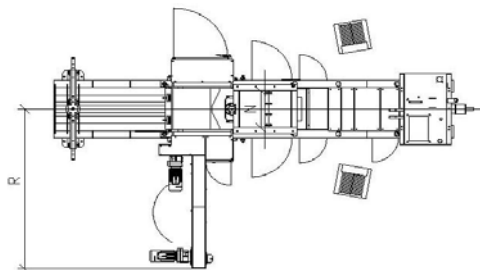
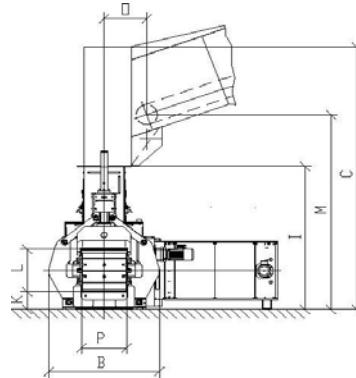
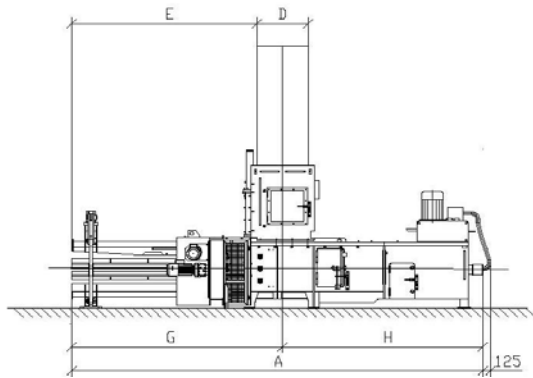
# Technical data and measurements

PACOMAT		I-35 C			I-50 C		
		pressing force	t (kN)	36 (356)			50 (486)
spec. pressing force	N/cm <sup>2</sup>	73			99		
tunnel cross section	cm	70 x 70			70 x 70		
hopper opening	cm	80 x 62			80 x 62		
feeding volume	ca. m <sup>3</sup>	0,54			0,54		
number of wires	pieces	3			3		
driving power	kW	11	22	30	22	30	45
press output (ideal)	max. m <sup>3</sup> /h	95	225	280	180	225	360
press output (under load)	max. m <sup>3</sup> /h	45	85	110	70	90	120
press capacity (weight) (in relation to bulk weight)							
• 35 kg/m <sup>3</sup> e.g. flattened OCC	ca. t/h	1,5	3	3,7	2,4	3,3	4,3
• 50 kg/m <sup>3</sup> e.g. shredded paper	ca. t/h	2,1	4,1	5,5	3,3	4,5	5,8
baler weight (according to equipment)	ca. t	6,5			7		

Dimensions in mm	A	B	C	D	E	G	H	I	K	L	M	N	O	P	R
PACOMAT I-35 C	6360	1750	4387	800	2865	3265	3095	2387	297	700	3250	620	660	700	2689
PACOMAT I-50 C	6377	1847	4387	800	2865	3265	3112	2387	297	700	3250	620	660	700	2689

## Additional FEATURES of the new PACOMAT:

- Wear plates of specialty steel for press chamber bottom increase the lifetime of the press. They are bolted for easy replacement.
- New DENSITRONIC control system for tunnel adjustment provides for better response to various material grades.
- The new Touch Panel TP 177 facilitates the operation of the machine through recipe management and a comprehensive display of data.
- To make maintenance easy, the pressure plate is provided with grouped nipples for lubrication of all rollers.



[www.paalgroup.com](http://www.paalgroup.com)

### PAAL®

PAAL GmbH  
Raiffeisenstraße 15-17  
49124 Georgsmarienhütte  
Germany

Tel.: +49 (0) 5401 488 0  
Fax.: +49 (0) 5401 488 13

[info@paalgroup.com](mailto:info@paalgroup.com)

### FAES®

Amadeo Farell S.A.U.  
Poligono Industrial Can Carné  
Calle Montsià s/n, P.O. Box 125  
08211 Castellar del Vallés  
Spain

Tel.: +34 937 143 210  
Fax.: +34 937 143 169

[info@faesnet.net](mailto:info@faesnet.net)

### DICOM

Dicom Ltd.  
Lydford Road  
Meadow Lane Industrial Estate  
Alfreton, Derbyshire DE55 7RQ  
Great Britain

Tel.: +44 (0) 177 352 0565  
Fax.: +44 (0) 177 352 0881

[sales@dicom.ltd.uk](mailto:sales@dicom.ltd.uk)

### COMDEC

COMDECPAAL  
9, rue Gustave Eiffel  
21540 Sombornon  
France

Tel.: +33 (0) 3 80 33 49 26  
Fax.: +33 (0) 3 80 33 42 43

[com@comdec-paal.com](mailto:com@comdec-paal.com)